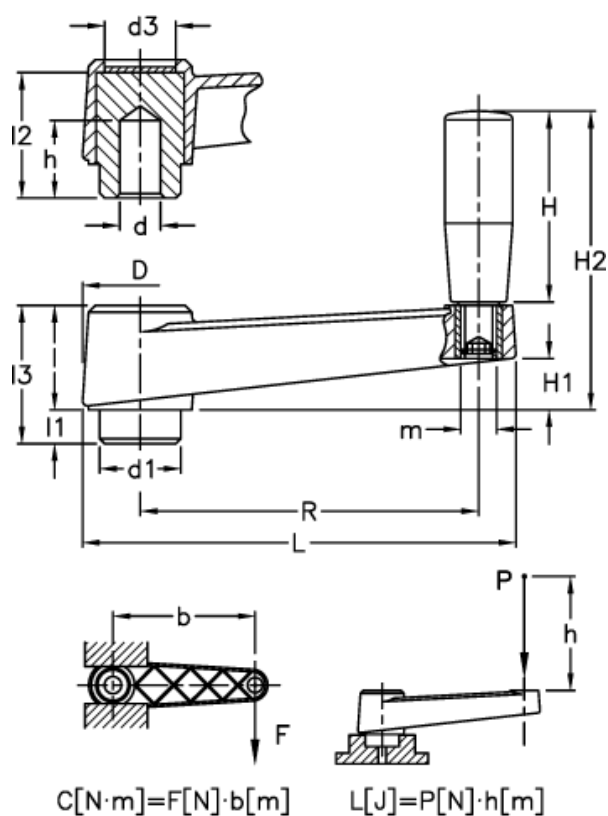


# Data Sheet



Article number: 2301044391  
 Description: E+G Crank handle  
 MT.130

## Measures



C (N m) = 350	H2 = 115	R = 130
D = 40	l = 35	
d1 = 28	L = 162	
d3 = 25	L (J) = 45	
d H9 = 10	l1 = 14	
H = 80	l2 = 44	
h = 30	l3 = 49	
H1 = 20	m = M8	